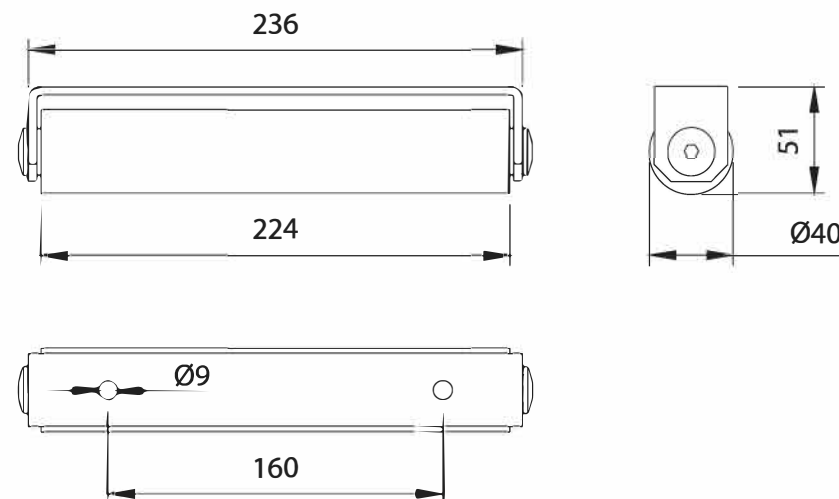




Art. 253-40



TECHNICAL CHARACTERISTICS				
		253-40		
WEIGHT OF PART		1,00 Kg		
MAINTENANCE FREQUENCY				
PRIVATE HOME	COMPANY	WAREHOUSE	CONDOMINIUM <20 UNITS	CONDOMINIUM > 20 UNITS
2 YEARS*	2 YEARS*	2 YEARS*	1 YEAR*	1 YEAR*
Check roller.				
Check welds.				
*The scheme refers to a normal workplace (not marine or particularly aggressive environments).				

Art.	Code		
253-40	11305701 001	3	3,00

