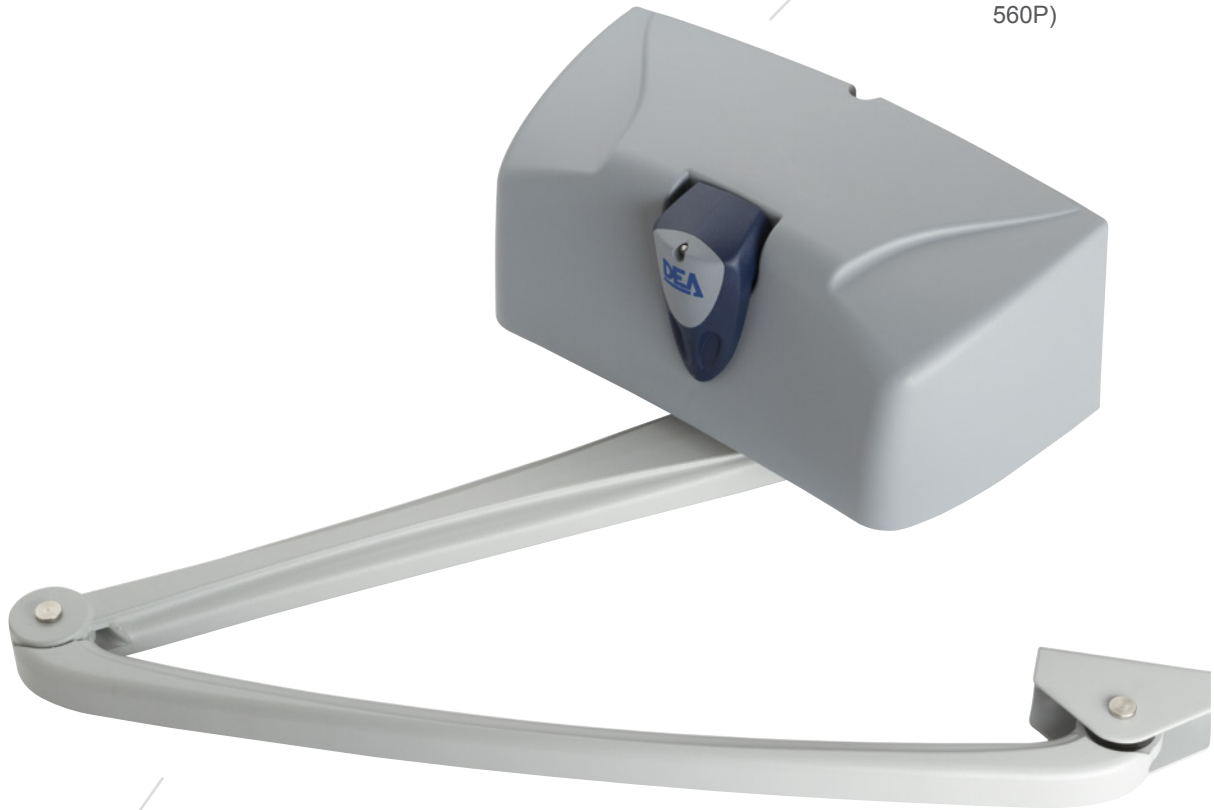


LIVI 502

Electromechanical automation for swing gates
up to 3.0m - 400 kg

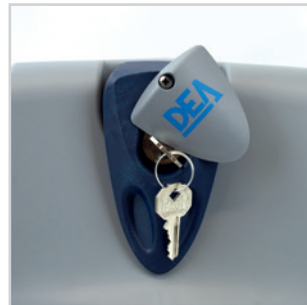
You can mount the operator also in a perpendicular way compared to the door, with vertical mounting plate (art. 560P)



Perfect for larger size pillars



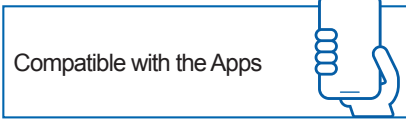
Sliding arm (optional)



Quick release with customised metal key, protected from the weather.



NETLINK OPERATOR
This operator is compatible with the NETLINK System and can be programmed with DEAINstaller and NETBOX



24V = operators without control board and arm

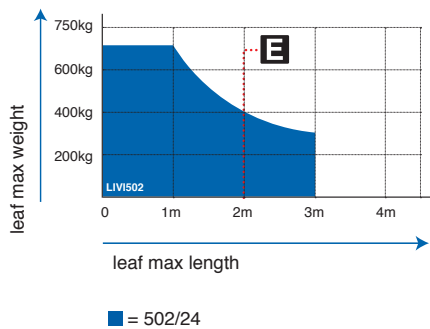


COD.	Art.			OTHER CHARACTERISTICS
623180	502/24			• For leaves up to 3m length

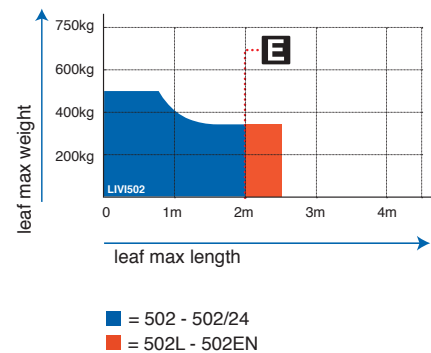
All models have: arm not included. Horizontal mounting plates included.
 Control board to complete the installation: control board cod. 678261 art. NET24N/C (with box)

GUIDE TO USE

ARTICULATED ARM



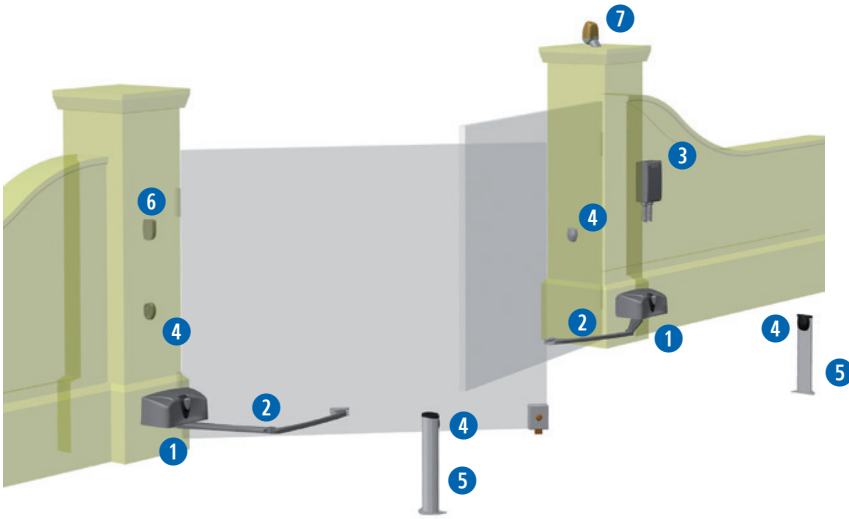
SLIDING ARM



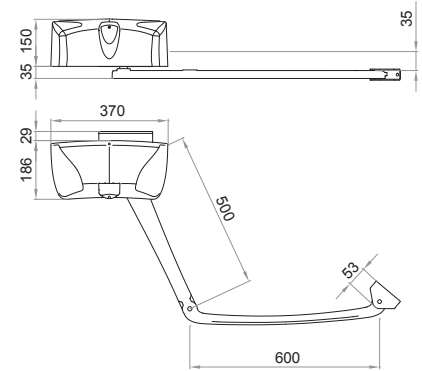
If the leaf length is bigger than 2m or if you use reversible models you must install the electric-lock to block the gate in closed position. The height and the leaf structure, as well as the presence of strong wind, can cause the reduction of the value of the data contained in table or make it necessary to use an electric lock also for leaves shorter than 2m.



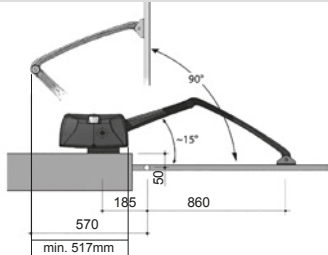
TECHNICAL INFO	502
Motor power supply (V)	24V =
Maximum power absorption (W)	80
Max torque (Nm)	180
Duty cycle (cycles/hours)	35
N. max cycles in 24h.	140
Built-in capacitor (µF)	/
Operating temperature (°C)	-20 + 50
Motor thermal protection (°C)	/
90° Opening time (s)	10
Weight with packing (Kg)	13.2
Sound pressure (dBA)	< 70
Protection level	IP44



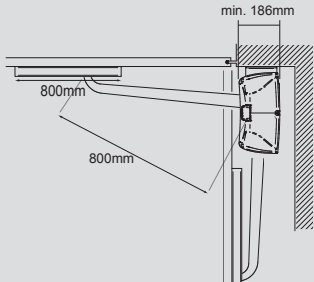
EXAMPLE OF A TYPICAL INSTALLATION



DIMENSIONS (with arms 560A)



 <p>COD. 629130 Art. 560A Aluminium articulated arm</p>	 <p>COD. 629140 Art. 560BV Painted galvanized steel articulated arm</p>
 <p>Installation diagram for Art. 560A and Art. 560BV. The diagram shows the arm mounted to a wall. The mounting height is 50 mm. The arm length is 860 mm. The distance from the wall to the end of the arm is 185 mm. The distance from the wall to the base of the arm is 570 mm. The minimum distance from the wall to the base of the arm is 517 mm. The arm is mounted at a 90° angle to the wall and a -15° angle to the horizontal.</p>	
<p>For installation dimensions refer to instructions manuals</p>	

 <p>COD. 629110 Art. 560BD Galvanized steel rail sliding arm, right side (L. 800 mm)</p>	 <p>COD. 629120 Art. 560BS Galvanized steel rail sliding arm, left side (L. 800 mm)</p>
 <p>Installation diagram for Art. 560BD and Art. 560BS. The diagram shows the sliding arm mounted to a wall. The mounting height is 800 mm. The distance from the wall to the end of the arm is 800 mm. The minimum distance from the wall to the base of the arm is 186 mm.</p>	