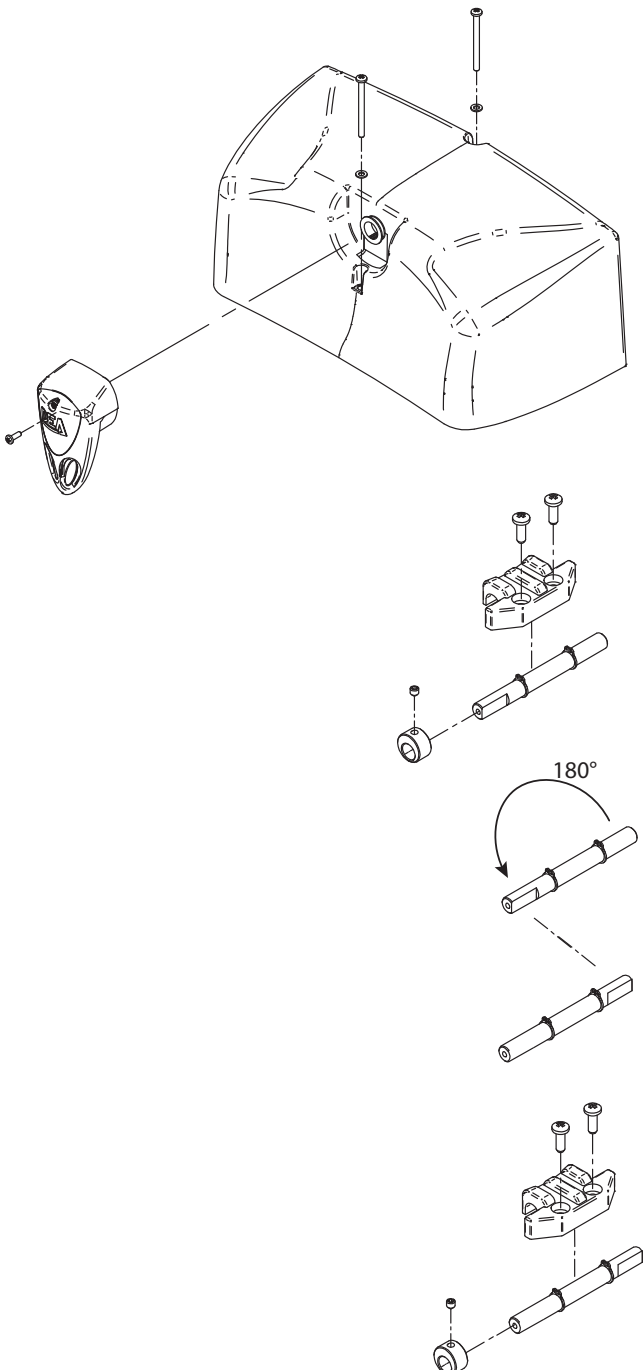
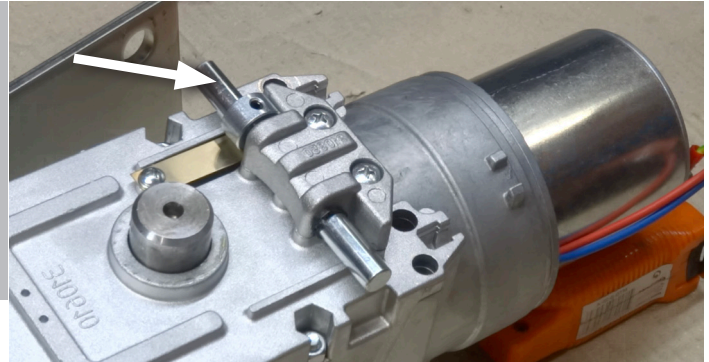


# Livi 502 | motor release swap



**Note** All Livi 502 are set-up for install on the Left gate.

When installing two motors, one needs to be adjusted to suit the right gate.



1. Remove cover
2. Remove motor release housing.
3. Loosen & remove cam
4. Remove & flip shaft
5. Place cam loose on shaft
6. Replace shaft in housing. Attach housing to motor.
7. Position flat section on shaft vertical. Place cam's grub screw facing up & tighten.
8. Unbolt motor from mount bracket, and rotate motor 180°.
9. Bolt motor back onto mount bracket.