

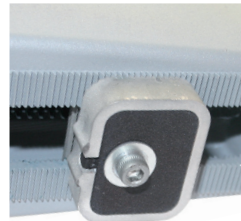
SURF 450

- 21 SECONDS TO 90°
- 50 % DUTY CYCLE
- 4.5 MAXIMUM GATE LENGTH

Surf is a robust, 24V electromechanical swing gate operator with powder coated cast aluminium body.

For gates up to 4.5m or 400kg

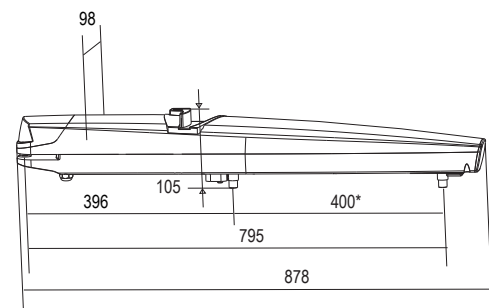
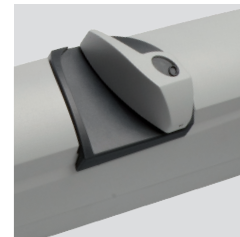
BUILT-IN ELECTROMECHANICAL LIMIT SWITCHES



ALL METAL INTERNAL COMPONENTS



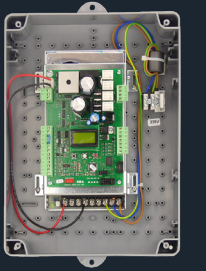
LOCKABLE CAST ALUMINIUM RELEASE LEVER



Surf 450 can be used on solar applications or add battery backup on request.

400KG

CONTROLLER



DIGITAL PROGRAMMING

24V SURF 450 is supplied with USER-2 Digital control board housed in an IP rated enclosure with transformer.

Details on page 26



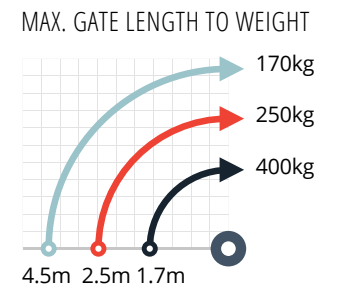
BACK MOUNT
Adjustable post mount brackets. No welding.
AAC-BRASU



FRONT MOUNT
Bolt-on gate brackets.
AAC-BRASUA



OUT SWING BRACKETS
Allows gates to open outwards.
AAC-BRASUO



ORDER CODE	SURF450
POWER SUPPLY	SINGLE PHASE
MOTOR VOLTAGE	24 V (DC)
MOTOR POWER	60 W
MAX. OPEN ANGLE	120°
MAX. CYCLES PER HOUR	90*
DUTY CYCLE	50 %*

MAX. GATE WEIGHT	400 KG
MAX. GATE LENGTH	4.5 M**
TIME TO 90°	21 SEC
MAX. THRUST	2000 N
LIMIT SWITCH	MECHANICAL-ELECTRONIC
DIMENSIONS (H-W-L)	98, 98, 878
WORKING TEMP.	-20° / +55° C

*Maximum duty cycle based on the first working hour in a testing environment.
** Electric/magnetic locks should be fitted on gates 2m+ to protect gate and operator from damage by wind or forced entry.